

LCC27 Valve Change

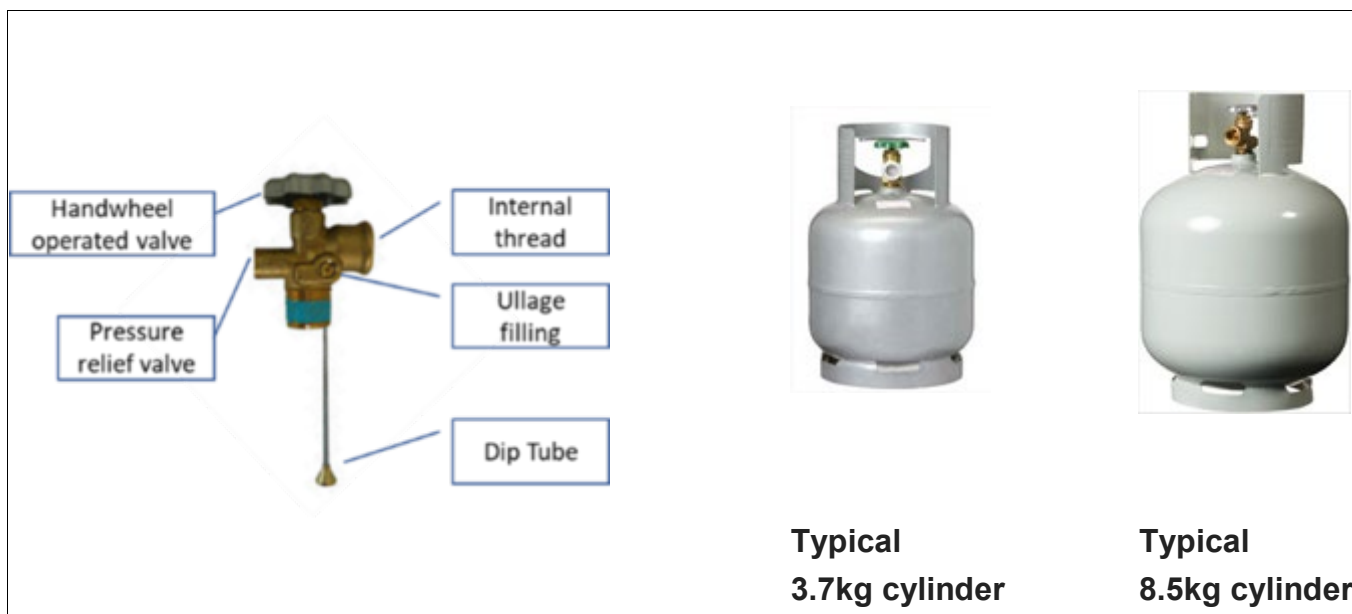
1 April 2021

What is the LCC27?

LCC27 is the acronym for the Leisure Cylinder Connection Type 27. It is an evolution of the current portable gas appliance Type 21 connection which is commonly referred to as a POL connection.

About the current POL valve

The current Type 21 or POL connection is fitted to 8.5 kg or 3.7 kg LPG leisure cylinders. It has a handwheel operated valve, an internal thread for connecting to the appliance, a pressure relief valve, ullage filling and a dip tube.



What has evolved in the LCC27?

The LCC27 cylinder valve retains all of the POL valve's features including the internal thread for connecting to your current gas appliance. But the LCC27 has improvements which include an easy-to-use right hand threaded external ACME connection and a back check valve that must be engaged by having a positive connection to the appliance hose before gas can flow. And the LCC27 appliance connection has a thermal cut-out.



Intuitive Right-Hand Thread that is easily engaged

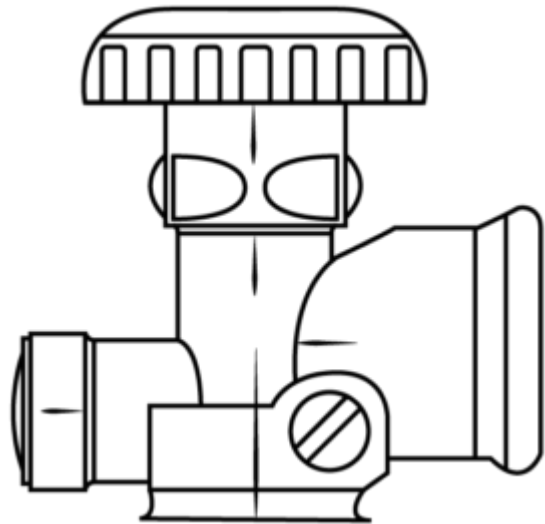
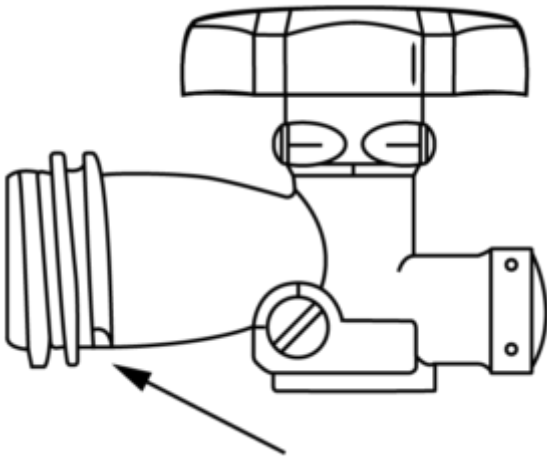
Seals are inside the housing and have a greater level of protection against damage

Check valve – allow gas to flow when a positive connection has been made

How can I tell the difference?

LCC27

POL



Has a visible external thread on the valve

Does not have an external thread on the valve

What does the new appliance connection look like?

You can tell the new connection because of the broader handwheel and sheltered brass connection.



LCC27 appliance connection



POL appliance connection

Why are we changing?

The objective of this collaboration between the State and Territory Government [Gas Technical Regulators Committee \(GTRC\)](#), the [Gas Appliance Manufacturers Association of Australia \(GAMAA\)](#), Standards Australia and Gas Energy Australia (GEA) is to improve the consumer experience and maximise safety outcomes. It was implemented by making changes to the relevant Australian standards so that all Australians will benefit from nationally consistent requirements. The original project proposal submitted to [Standards Australia](#) by GEA is available on the Standards Australia website.

When will I see the new valve and appliance connection?

You will start to see the LCC27 cylinder in stores or exchange cages from 1 April 2021. The details on regulatory approvals for the sale of valves and appliances can be found in the [GTRC Technical Guidance Bulletin 14 LPG Cylinder connection transition](#).

Will I need to buy a new barbecue or an adaptor?

No, you don't need an adaptor and they are specifically precluded from use in the relevant Australian standards because they increase the risk of gas leaks. The LCC27 valve works best when connected to an LCC27 appliance connection but it can also be used with the old POL appliance connection, i.e. it's backward compatible so you don't need to buy a new barbecue or other outdoor gas appliances. On the other hand, the new LCC27 appliance connection can only be used with a new LCC27 valved cylinder.

At the same time, the old POL valved cylinder connected to the old POL appliance connection, which it was made for, remains a safe and reliable option.

What do I need to do the next time I buy more gas?

You should remember to ensure “when making your selection, match your appliance connection”.

LCC27 valve + LCC27 appliance connection

POL valve + POL appliance connection



LCC27 valve + POL appliance connection

POL valve + LCC27 appliance connection



Is there anything special about filling the new LCC27 valved cylinder?

The filling procedures for filling both the POL and LCC27 are covered off in Australian Standard AS1596: Storage and handling of LP Gas: Appendix J.

Where can I find the relevant Australian standards for the new connection?

The technical details and specifications on the LCC27 connection and its use is covered off across several Australian standards, these are:

[AS2473 Valves for compressed gas cylinders, Part 1: Specifications, type testing, and manufacturing tests and inspections](#)

[AS2473 Valves for compressed gas cylinders, Part 2: Outlet connections \(threaded\) and stem \(inlet\) threads](#)

[AS/NZS 1596 The storage and handling of LP Gas](#)

[AS/NZS 5601. Gas installations, Part 1: General installations](#)

[AS/NZS 5601 Gas installations, Part 2: LP Gas installations in caravans and boats for non-propulsive purposes](#)

[AS/NZS 5263 Gas appliances, Part 0: General requirements](#)

[AS/NZS 5263 Gas appliances, Part 1.7: Domestic outdoor gas cooking appliances](#)

[AS 4627 Quick-connect devices for gas](#)

Any questions

If you have any questions, please contact us at Gas Energy Australia at mail@gasenergyaustralia.asn.au